

# ELLS-405EWA

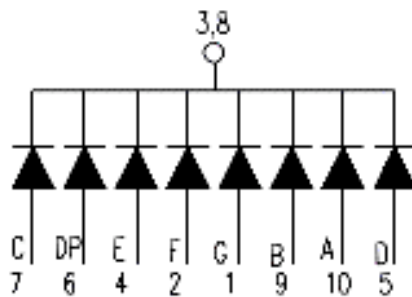
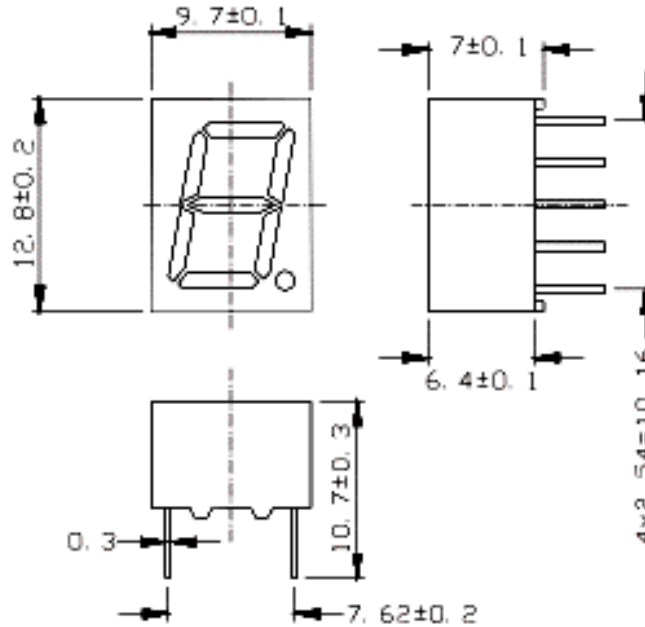
Page 1 of 2



The ELLS-405 series is a large 10.00 mm (0.39") high seven segment display designed for viewing distances up to 7 meters.



RoHS Compliant  
Aug 2004



### INTERNAL CONNECTION DIAGRAM

- 1 ANODE G
- 2 ANODE F
- 3 COMMON CATHODE
- 4 ANODE E
- 5 ANODE D
- 6 ANODE DP
- 7 ANODE C
- 8 COMMON CATHODE
- 9 ANODE B
- 10 ANODE A

PART NO.	Chip		Face Color
	Material	Emitted Color	
ELLS-405EWA	GaAsP/GaP	Orange	Gray

\* Specifications subject to change without notice. Dimensions are in mm  $\pm 0.25$  unless stated otherwise.

**Absolute Maximum Ratings at  $T_a = 25\text{ }^\circ\text{C}$**

Parameter	Symbol	Rating	Units
Forward Current	$I_F$	15	mA
Operating Temperature	$T_{opr}$	-40 to +85	$^\circ\text{C}$
Storage Temperature	$T_{stg}$	-40 to +100	$^\circ\text{C}$
Soldering Temperature	$T_{sol}$	260 (for $\leq 5$ sec)	$^\circ\text{C}$
Power Dissipation	$P_d$	40	mW
Pulse Forward Current (Pulse Width $\leq 10$ msec and Duty $\leq 1/10$ )	$I_{FP}$	70	mA
Reverse Voltage	$V_R$	5	V

**Electronic Optical Characteristics**

Parameter	Symbol	Min.	Typ.	Max.	Units	Condition
Luminous Intensity	Per segment	0.18	0.90	—	mcd	$I_F = 10\text{ mA}$
	Per decimal point	—	—	—		
Peak Wavelength	$\lambda_p$	—	635	—	nm	$I_F = 20\text{ mA}$
Dominant Wavelength	$\lambda_d$	—	625	—	nm	$I_F = 20\text{ mA}$
Spectrum Radiation Bandwidth	$\Delta\lambda$	—	45	—	nm	$I_F = 20\text{ mA}$
Forward Voltage	$V_F$	—	3.0	—	V	$I_F = 20\text{ mA}$
Reverse Current	$I_R$	—		10	$\mu\text{A}$	$V_R = 5\text{ V}$

\* Specifications subject to change without notice. Dimensions are in mm  $\pm 0.25$  unless stated otherwise.